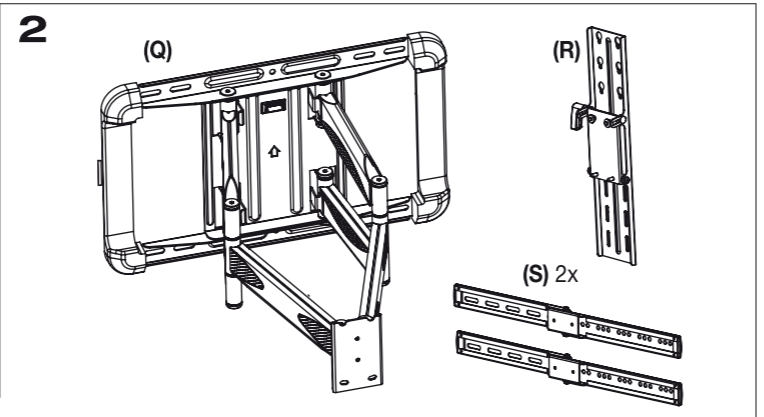
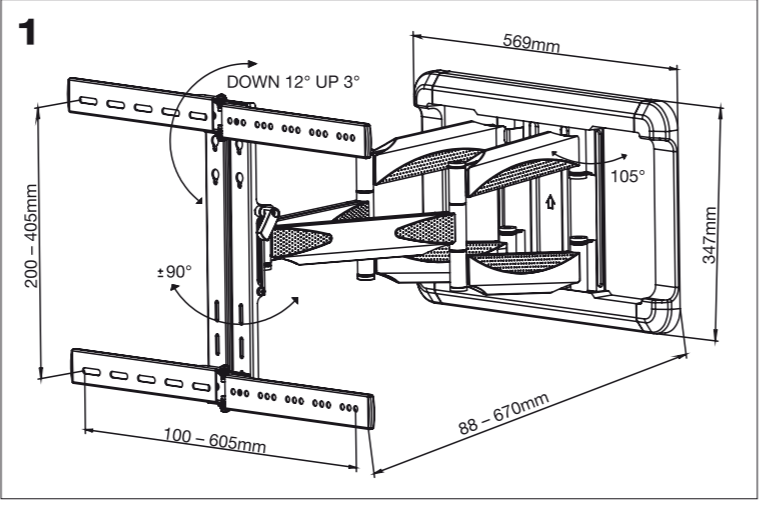




BFMO 8560 (37990)

VIVANCO GMBH
 EWIGE WEIDE 15
 22926 AHRENSBURG, GERMANY
 WWW.VIVANCO.COM



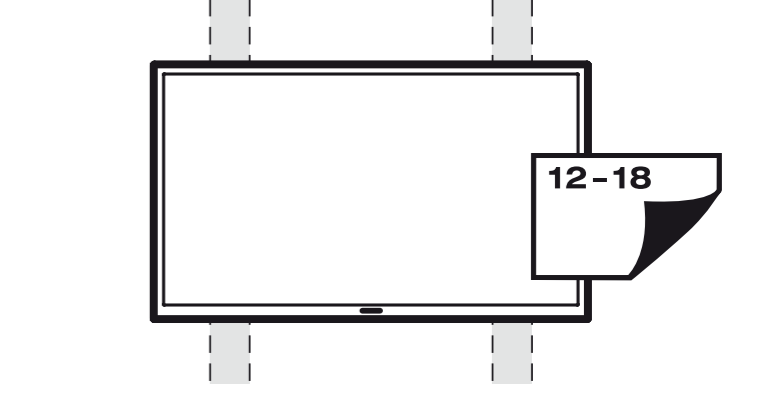
6x

(A) 6x M8*75

(B) 6x M8

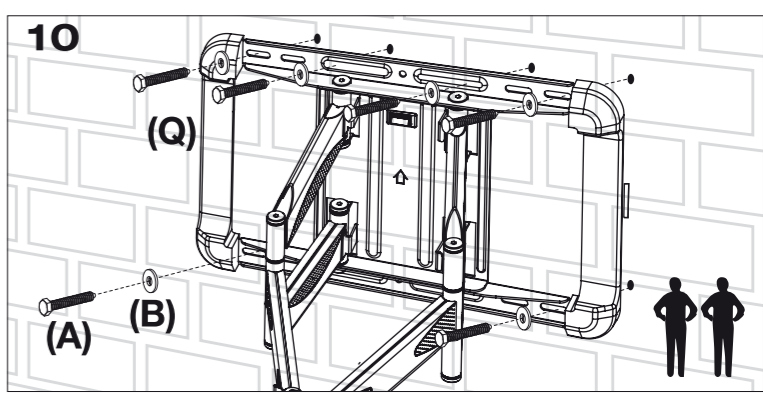
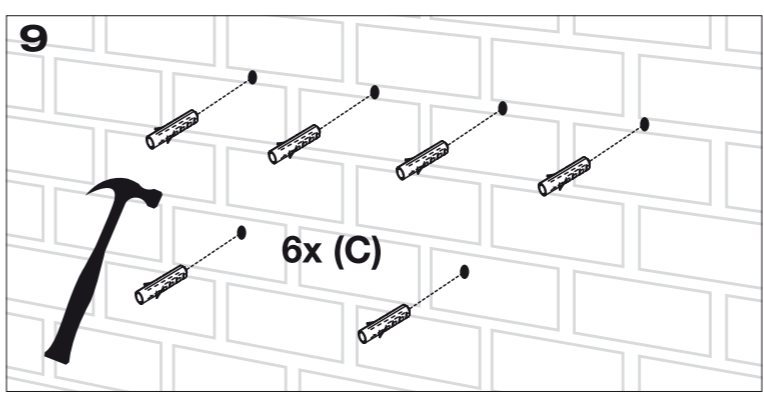
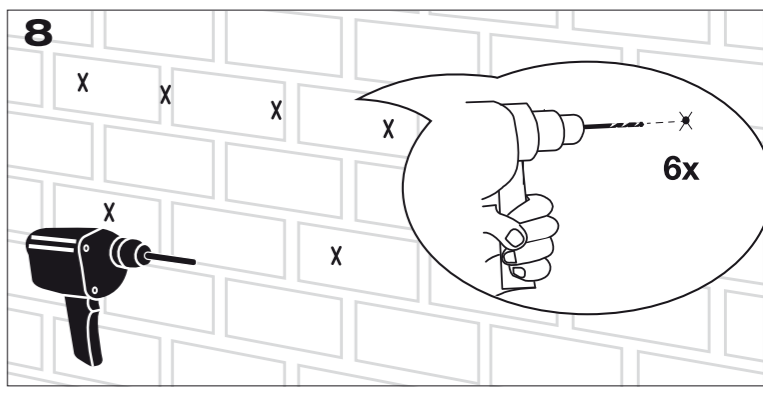
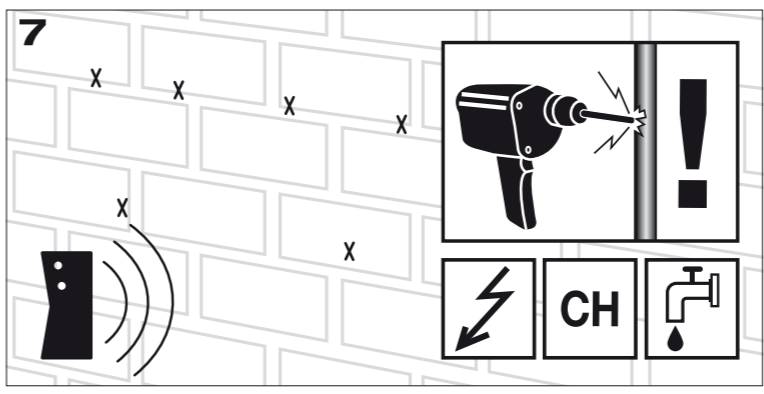
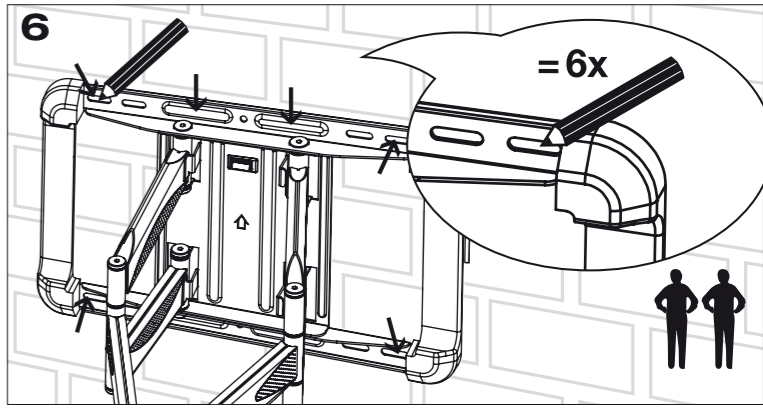
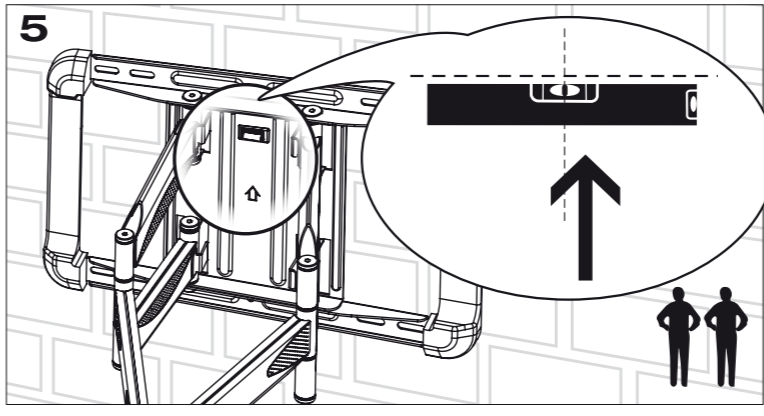
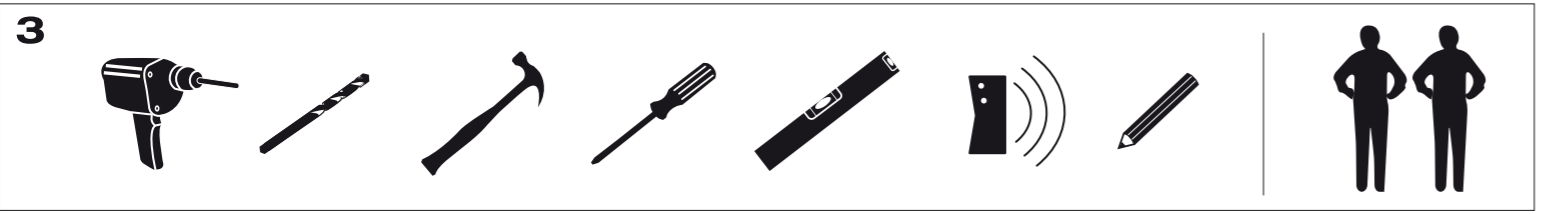
(C) 6x UX10*60R

5-11



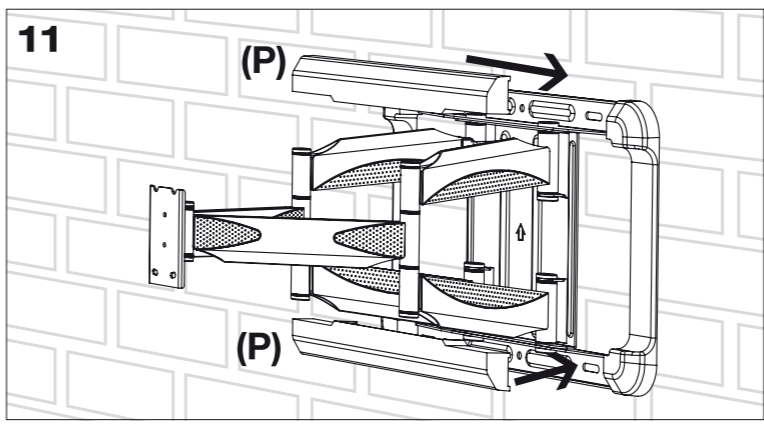
- (A) 6x M8*75
- (B) 6x M8
- (C) 6x UX10*60R
- (D) 4x M6 x 12mm
- (E) 4x M6 x 20mm
- (F) 4x M8 x 12mm
- (G) 4x M8 x 20mm
- (H) 4x M8 x 35mm

- (I) 4x M8 x 45mm
- (J) 4x M6
- (K) 4x M8
- (L) 8x M10
- (M) 1x S10
- (N) 4x M6
- (O) 2x
- (P) 2x



Max 216 cm/ 85"

60kg max.



?

▼

SPECIALIST

6x
 (A) 6x M8*75
 + (B) 6x M8

12-18

12

21

8x (L)
 je 4x (J+K)

je 4x (D-I)

(D/E/F/G/H/I)
 (J/K)

13

= 6x

14

22

(S)
 (2x N)

23

(S)
 (2x N)
 (R)
 (S)
 (2x N)

24

(2x N)
 (2x N)

15

! min. 10mm

16

6x

25a) **25b)** **25c)**

(2x O)

17

(Q)
 (A) (B)

18

(P)
 (P)

20

(L)

26

0° +3° -12°

1) 2) 360° 3)

27

+/- 2°

1) (2x O) 2) +/- 2° 3) (2x O)